

PRESS RELEASE

**XCM410 Series
2 Channel Voltage Detector (Sense Pin separated from V_{DD})**

TOREX SEMICONDUCTOR LTD. (Chuo-Ku, Tokyo : President, Tomoyuki Fujisaka) announces the release of the XCM410 series of 2 channel voltage detectors.

The XCM410 series is a multi-chip module IC which has two highly precise, low power consumption voltage detectors in one package (1 x XC6108 + 1 x XC6109).

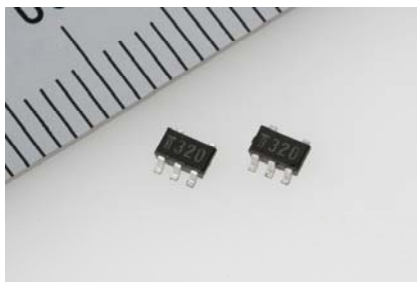
The IC is operated from a supply voltage within a range of 1.0V to 6.0V and is a semi-custom product with two independent voltage sense pins, V_{SEN} and V_{IN}, enabling two different detect voltages to be fixed internally at each pin.

Since the sense pin, V_{SEN}, is separated from the power supply, it maintains the sensing status (low level output) even when the monitored voltage becomes 0V.

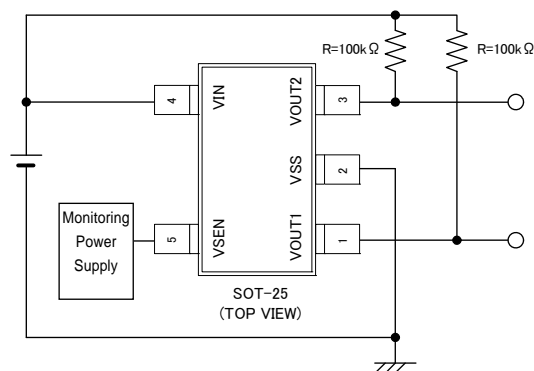
Moreover, it enables the IC to detect higher voltage than its operation voltage by connecting dividing resistors to the V_{SEN} pin. Available in a space saving SOT-25 package.

【XCM410 Series Features】

- Detect voltage fixed internally so fewer external components needed
- Highly precise detection, ±2% (≥ 1.5V), ±30mV (< 1.5V)
- Open drain output enables non-limited pull-up termination
- Only 1.7 μA power consumption
- SOT-25 package for space saving



▲ SOT-25 (2.8 x 2.9 x 1.3mm)



TYPICAL APPLICATION CIRCUIT

For further information, please contact:

Singapore: TOREX SEMICONDUCTOR (S) PTE LTD

Tel: +65-6745-1352

E-mail: tsp@torex.com.sg

USA: TOREX USA Corp.

Tel: +1-949-261-2022

E-mail: info@torex-usa.com

Europe: TOREX SEMICONDUCTOR EUROPE LIMITED

Tel: +44-1530-510190

E-mail: sales@torexsemi.co.uk