

**PRESS RELEASE****XC9515 Series  
Compact 2channel Synchronous Step-Down DC/DC Converter**

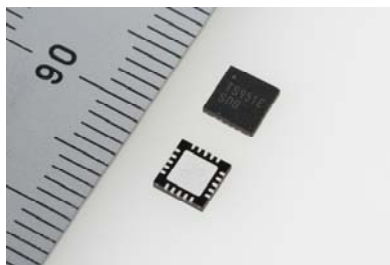
TOREX SEMICONDUCTOR LTD. (Tokyo, Japan: President, Tomoyuki Fujisaka) announces the release of the XC9515 which is a 2channel synchronous step-down DC/DC converter.

The XC9515 series is an 800mA per channel dual output DC/DC converter with built-in reset IC. With an integrated 0.35Ω PchMOS and 0.35Ω NchMOS, the DC/DC converter is ideal for stepping down from 5v (Input) to 3.3v (Output) with a high conversion efficiency of 95%. The PWM-controlled 1MHz fixed frequency means that small inductors can be used and two internally fixed output voltages eliminate the need for external resistor networks. These features decrease the number of external parts needed and allow for a more compact design.

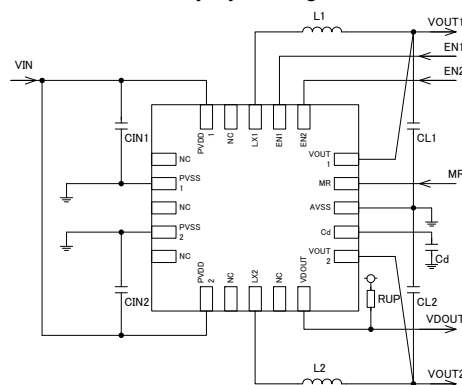
The power-on sequence can be configured by connecting the output of the built-in voltage detector to the DC/DC EN pin and a delay time can be set by connecting an external capacitor. This converter also implements a manual reset function that sends a reset signal at the desired time. The internally fixed output voltage can be set within a range of 1.2V to 4.0V according to customer's needs and is available in a tiny QFN-20 package.

**【XC9515 Series Features】**

- A high-frequency (1MHz) allows the use of two small inductors.
- The internally fixed voltages eliminate the need for two external resistor networks.
- Synchronous operation and built-in switches eliminate the need for external schottky diodes.
- Output current: Up to 800mA per channel.
- Operating Voltage Range: 2.5 to 5.5V.
- High conversion efficiency: 95% (Input=5V, Output=3.3V).
- A voltage detector is built-in and its delay time can be set freely by adding one external capacitor.



▲QFN-20(4.0 x 4.0 x 0.75mm)



▲Typical Application Circuit

**For further information, please contact:**

Japan (Head Office): TOREX SEMICONDUCTOR LTD.

Tel: +81-3-5652-8750

E-mail: [trx-marketing@torex.co.jp](mailto:trx-marketing@torex.co.jp)

Singapore: TOREX SEMICONDUCTOR (S) PTE LTD

Tel: +65-6745-1352

E-mail: [tsp@torex.com.sg](mailto:tsp@torex.com.sg)

USA: TOREX USA Corp.

Tel: +1-949-261-2022

E-mail: [info@torex-usa.com](mailto:info@torex-usa.com)

Europe: TOREX SEMICONDUCTOR EUROPE LIMITED

Tel: +44-1530-510190

E-mail: [sales@torexsemi.co.uk](mailto:sales@torexsemi.co.uk)