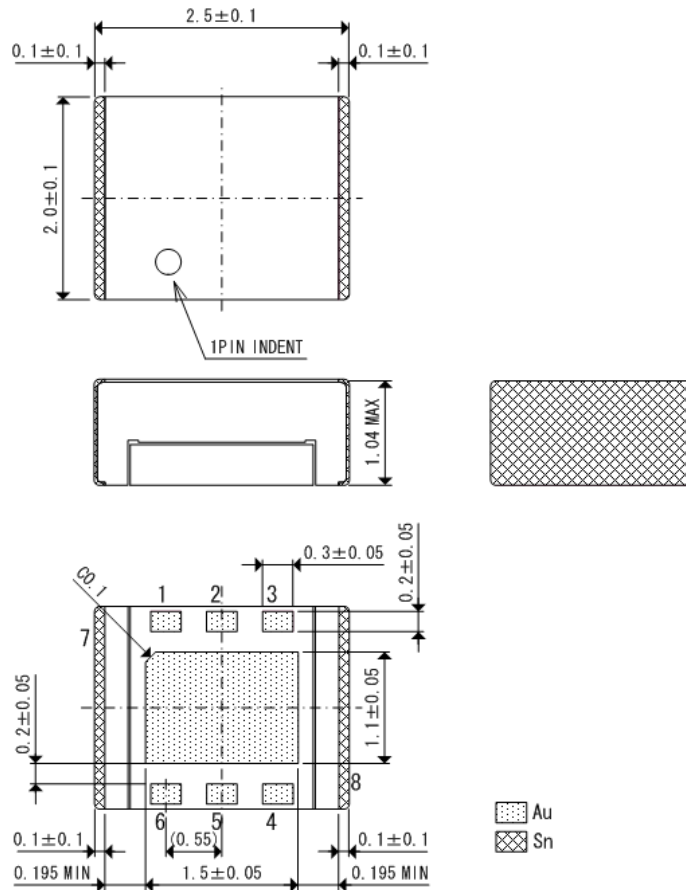


# Packaging Information / Reference Pattern Layout Dimensions

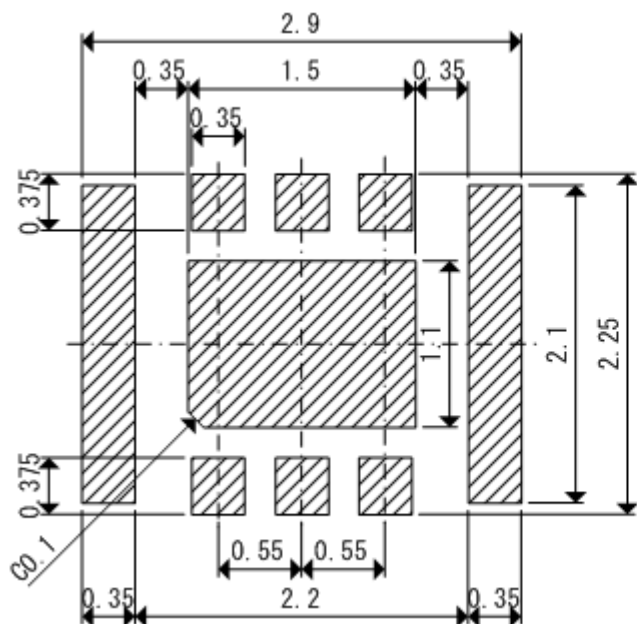
●CL-2025

## ■Packaging Information

Unit: mm



## ■Reference Pattern Layout Dimension



## ■Reference metal mask design

