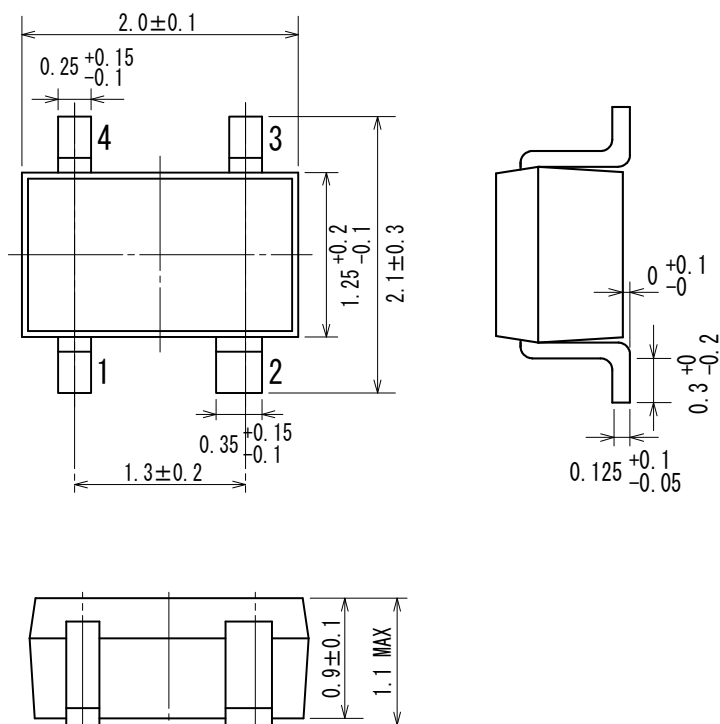


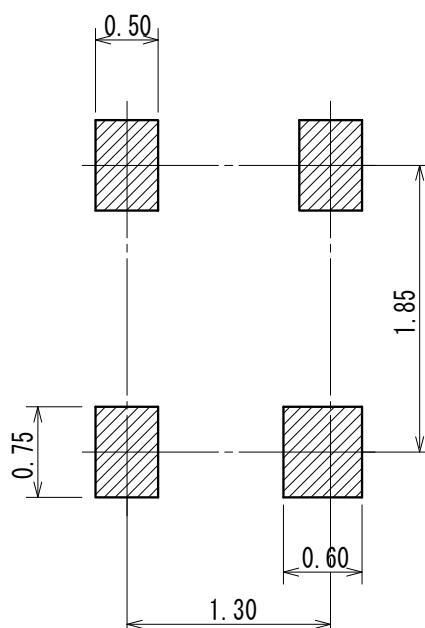
PACKAGE INFORMATION

●SSOT-24

Unit: mm



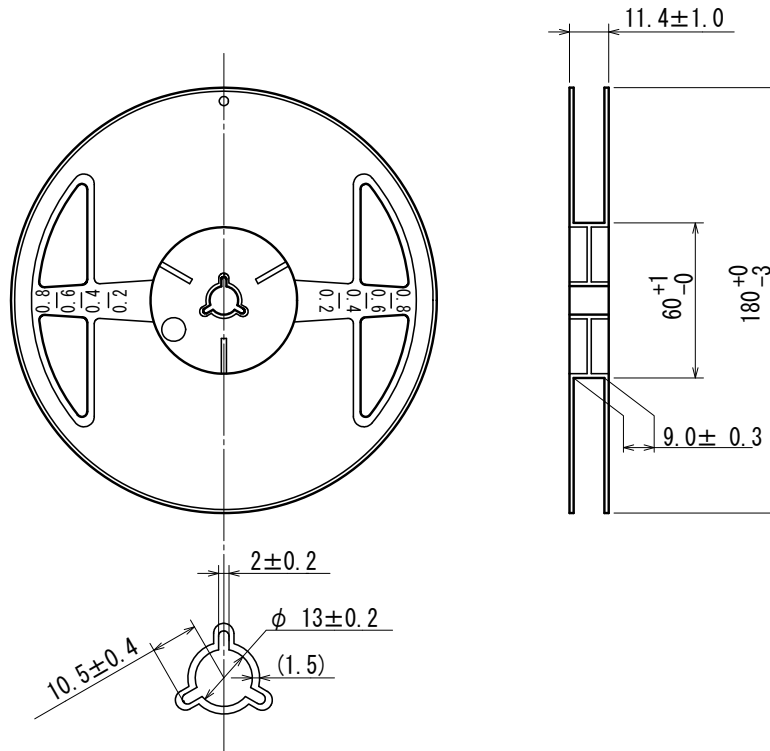
REFERENCE LAND PATTERN

▪ Solder Thickness: $150 \mu\text{m}$ (reference)

TAPING REEL DIMENSIONS

● SSOT-24

REEL



1 reel = 3000 pcs

TAPING SPECIFICATION

