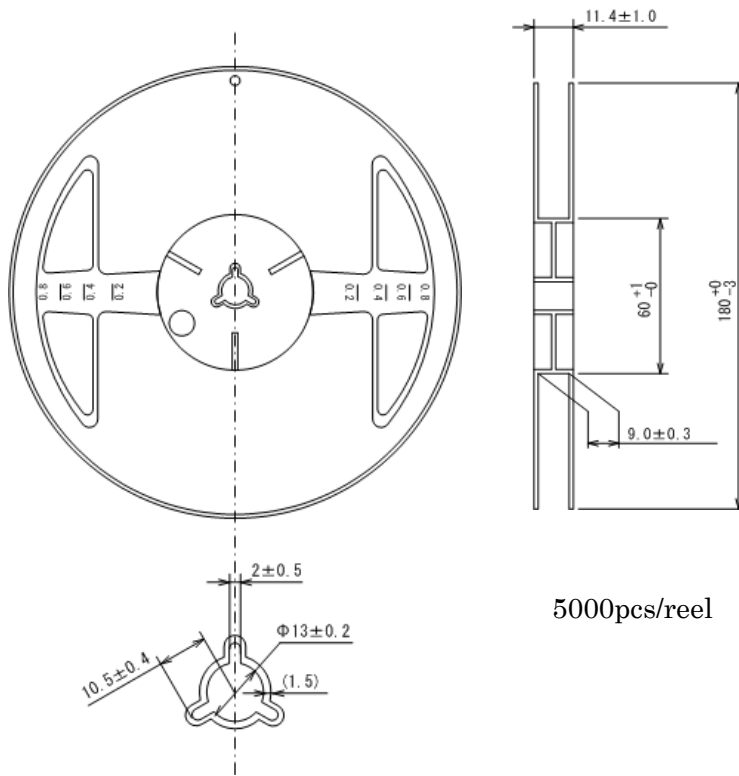


Taping Specifications

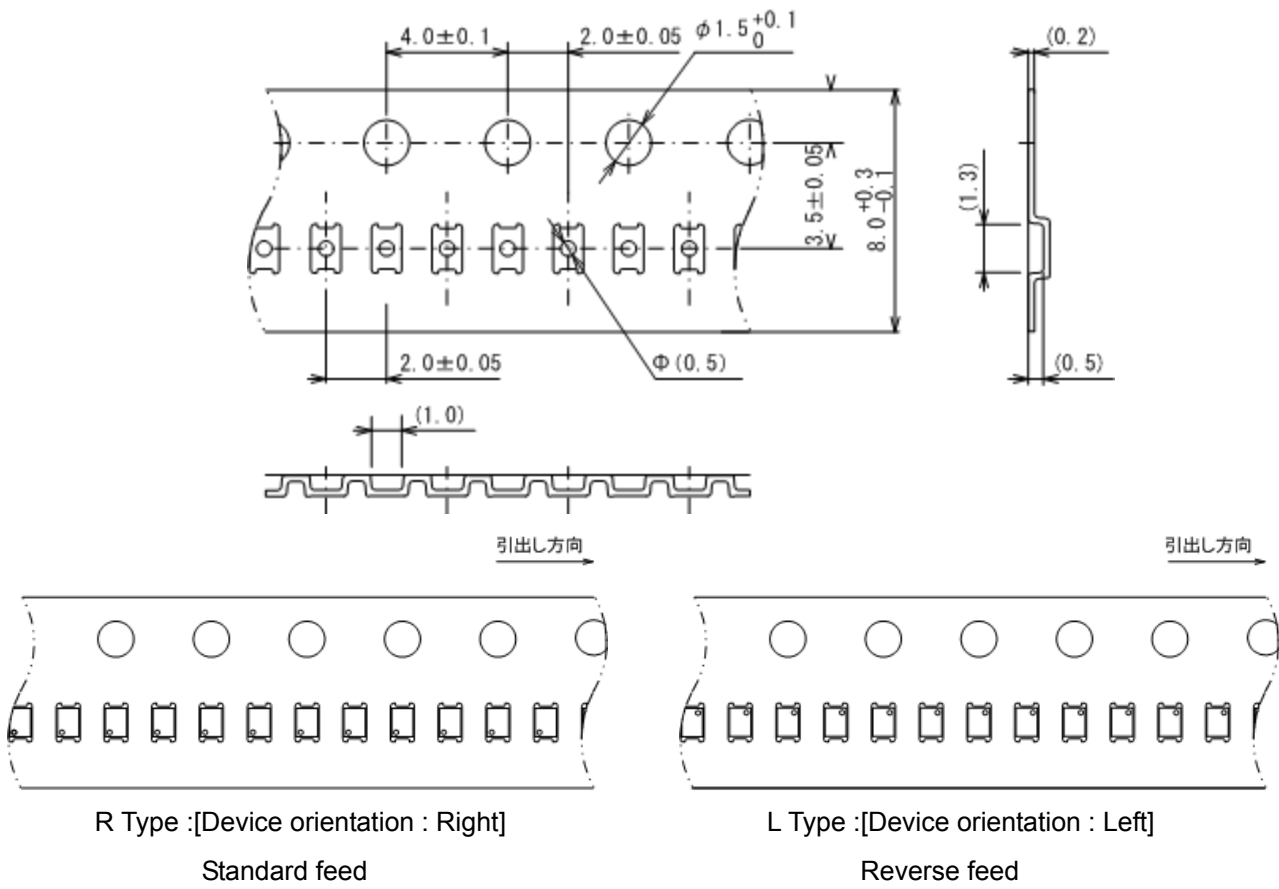
●USPN-4 Reel



Unit: mm

5000pcs/reel

●Taping Specifications



R Type : [Device orientation : Right]
Standard feed

L Type : [Device orientation : Left]
Reverse feed