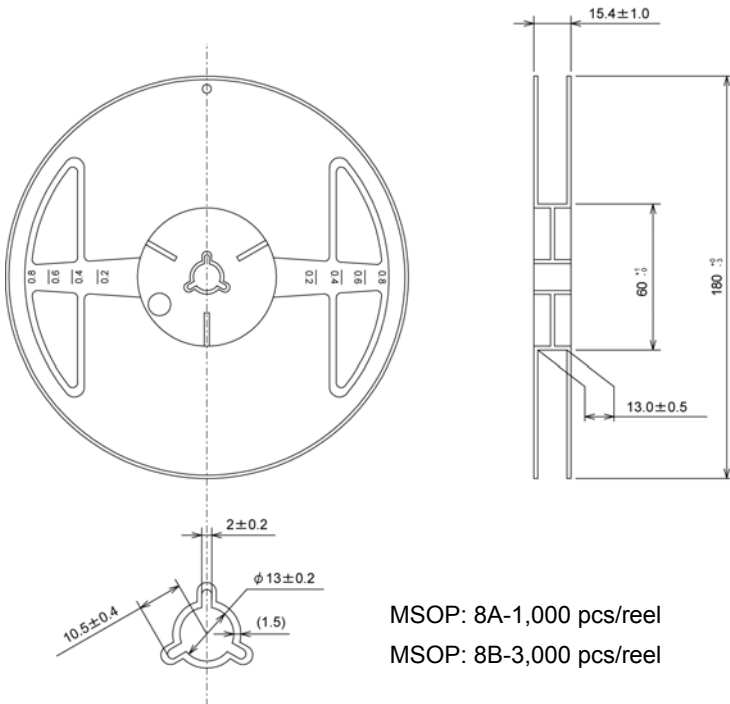
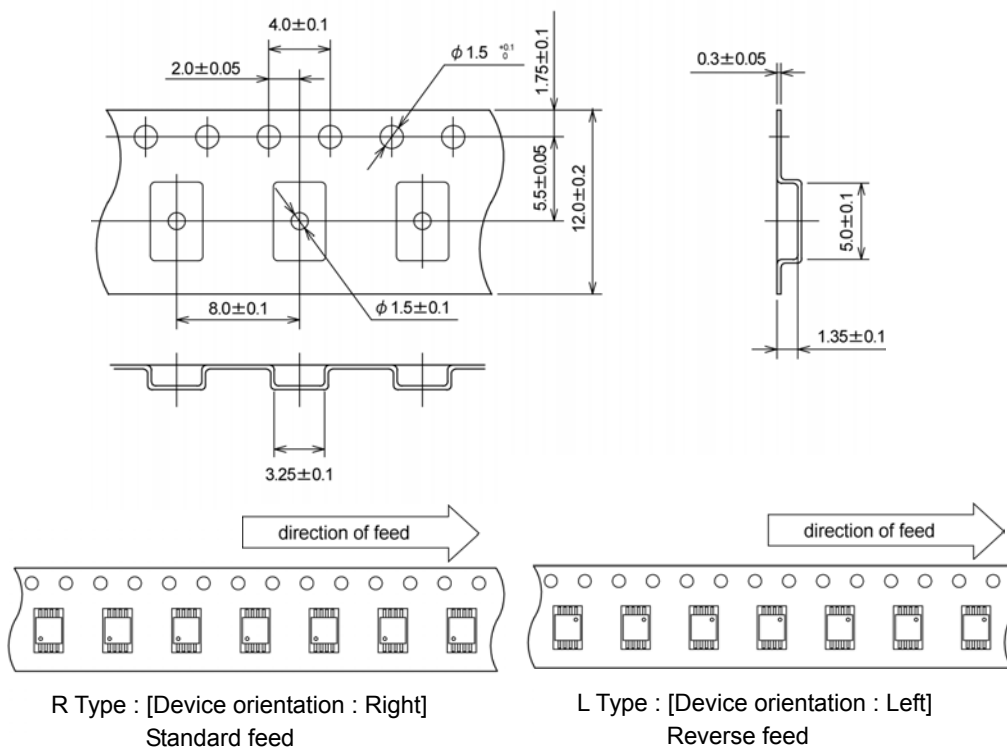


MSOP-8A/8B Reel



MSOP: 8A-1,000 pcs/reel
 MSOP: 8B-3,000 pcs/reel

MSOP-8A Taping Specifications



R Type : [Device orientation : Right]
 Standard feed

L Type : [Device orientation : Left]
 Reverse feed

Taping Specifications

MSOP-8B Taping Specifications

