

## PWM Control, PWM/PFM Switching Control, Step-Up DC/DC Converters, Externally Applied Vref

### GENERAL DESCRIPTION

GreenOperation-Compatible

The XC9106 / XC9107 series are step-up DC/DC controller ICs with an externally applied reference voltage (Vref). Output voltage will be set with external resistors (RFB1 and 2) and Vref value. The series make it easy to control output voltage externally and are suited to software applications that need to vary voltage, such as LCD power supply for PDA. Output will be stable no matter which load capacitors are used but if a low ESR capacitor is used, RSENSE of about 0.1Ω will be required and phase compensation will be achieved. This makes the use of ceramic capacitors much easier, and allows for lower output ripple and reduced PCB area requirements. Tantalum and electrolytic capacitors can also be used, in which case, RSENSE becomes unnecessary. Oscillation frequencies of high clock, low ripple 300kHz and low supply current 100kHz are available. The XC9107 series are PWM/PFM automatic switching controlled. Control switches from PWM to PFM during light loads with the XC9107 and the series is highly efficient from light loads to large output currents. By bringing the whole circuit down while the series is in the stand-by mode (CE/PWM pin: low), supply current can be reduced to less than 1.0 μA.

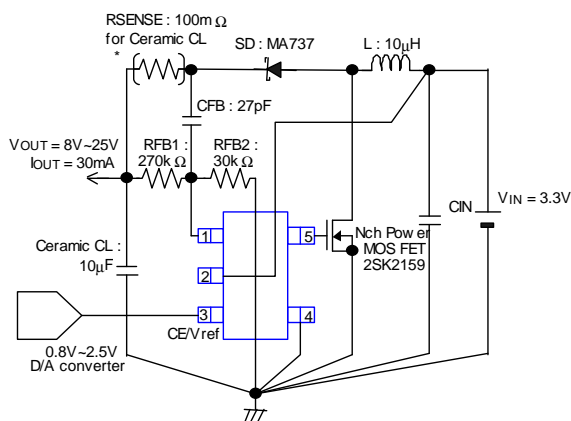
### APPLICATIONS

Power supply for LCDs  
PDAs  
Cellular phones  
Palmtop computers  
Portable audio systems  
Various multi-function power supplies

### FEATURES

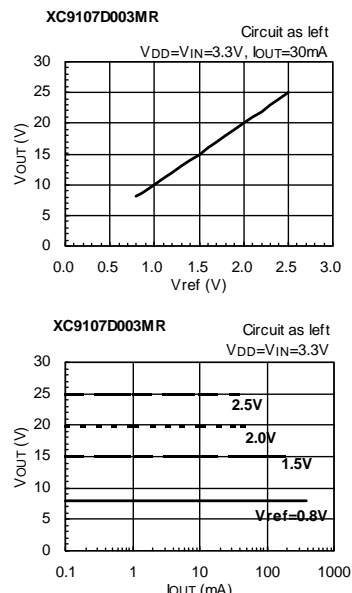
**Input Voltage** : 0.9V ~ 10V  
**Power**  
**Supply Voltage Range** : 1.8V~10.0V and more than  $V_{ref}+0.7V$   
**VREF Input Range** : 0.8V~2.5V (± 2.0%)  
**Output Voltage** :  $V_{ref} \times \text{external split resistor ratio}$   
 $V_{OUT} = V_{ref} \times (R_{FB1} + R_{FB2}) / R_{FB2}$   
**Oscillation Frequency** : 300kHz, 100kHz (± 15%)  
**Output Current** : More than 30mA  
( $V_{IN}=3.3V$ ,  $V_{OUT}=20V$ , when external components are used as in the circuits below.)  
**Controls** : PWM (XC9106)  
: PWM/PFM auto-switching (XC9107)  
**High Efficiency** : 85% (TYP.)  
**Stand-by Current** :  $ISTB = 1.0 \mu A$  (MAX.)  
**Load Capacitors** : Low ESR capacitors compatible  
**Externally Applied Reference Voltage (Vref)**  
**Packages** : SOT-25, USP-6B  
**Environmentally Friendly** : EU RoHS Compliant, Pb Free

### TYPICAL APPLICATION CIRCUIT

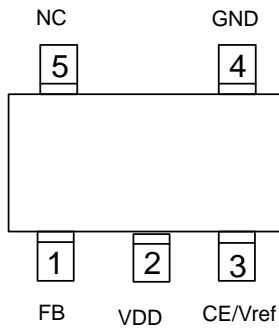


\* RSENSE is of no use in light load (uncontinuous mode) applications such as a small LCD, even using ceramic capacitor.

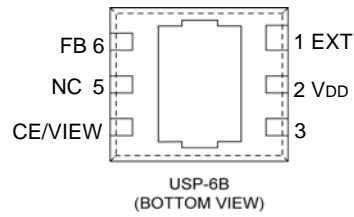
### TYPICAL PERFORMANCE CHARACTERISTICS



## PIN CONFIGURATION



SOT-25  
(TOP VIEW)



\*The dissipation pad for the USP-6B package should be solder-plated in recommended mount pattern and metal masking so as to enhance mounting strength and heat release. If the pad needs to be connected to other pins, it should be connected to the VDD pin.

## PIN ASSIGNMENT

PIN NUMBER		PIN NAME	FUNCTION
SOT-25	USP-6B		
1	6	FB	Output Resistor Connection
2	2	VDD	Supply Voltage
3	4	CE/Vref	Serves as Both Chip Enable Pin and Reference Voltage Apply Pin.
4	3	GND	Ground
5	1	EXT	External Transistor Connection
-	5	NC	No Connection

## PRODUCT CLASSIFICATION

### Ordering Information

XC9106D - <sup>(\*)</sup>: PWM control

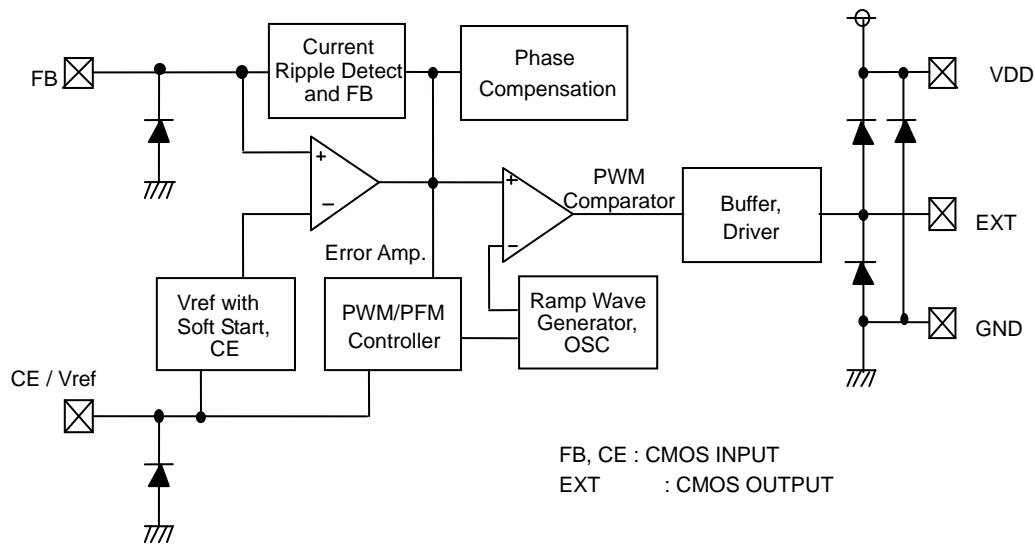
XC9107D - <sup>(\*)</sup>: PWM/PFM automatic switching control

DESIGNATOR	DESCRIPTION	SYMBOL	DESCRIPTION
	Reference Voltage (Apply External)	00	Fixed
	Oscillation Frequency	3	300kHz
		1	100kHz
-	Packages Taping Type <sup>(*)</sup>	MR	SOT-25
		MR-G	SOT-25 (Halogen & Antimony free)
		DR	USP-6B

<sup>(\*)</sup> The "-G" suffix indicates that the products are Halogen and Antimony free as well as being fully RoHS compliant.

<sup>(\*)</sup> The device orientation is fixed in its embossed tape pocket. For reverse orientation, please contact your local Torex sales office or representative. (Standard orientation: R- , Reverse orientation: L- )

## BLOCK DIAGRAM



## ABSOLUTE MAXIMUM RATINGS

Ta = 25°C

PARAMETER	SYMBOL	RATINGS	UNITS
VDD pin Voltage	VDD	-0.3 ~ 12.0	V
FB Pin Voltage	VFB	-0.3 ~ 12.0	V
CE / Vref pin Voltage	VCE / Vref	-0.3 ~ 12.0	V
EXT pin Voltage	VEXT	-0.3 ~ VDD+0.3	V
EXT pin Current	IEXT/	± 100	mA
Power Dissipation	SOT-25	Pd	mW
	USP-6B		
Operating Temperature Range	Topr	-40 ~ +85	°C
Storage Temperature Range	Tstg	-55 ~ +125	°C

## ELECTRICAL CHARACTERISTICS

XC9106D001MR, XC9107D001MR

(FOSC=100kHz)

Ta=25 °C

PARAMETER	SYMBOL	CONDITIONS	MIN.	TYP.	MAX.	UNITS	CIRCUIT
Output Voltage	V <sub>OUT</sub>	V <sub>ref</sub> = 0.9V	8.820	9.000	9.180	V	
Reference Voltage Range	V <sub>ref</sub>		0.8	-	2.5	V	-
FB Control Voltage	V <sub>FB</sub>	V <sub>ref</sub> = 0.8V	0.784	0.800	0.816	V	
		V <sub>ref</sub> = 0.9V	0.882	0.900	0.918		
		V <sub>ref</sub> = 2.5V	2.450	2.500	2.550		
Supply Voltage Range (*1)	V <sub>DD</sub>	V <sub>DD</sub> as shown right and (V <sub>ref</sub> applied voltage+0.7V)	1.8	-	10.0	V	-
Operation Start Voltage	V <sub>ST1</sub>	Recommended Circuit using 2SD1628, I <sub>OUT</sub> =1.0mA	-	-	0.9	V	
Oscillation Start Voltage (*1)	V <sub>ST2</sub>	No external connections, CE/V <sub>ref</sub> =0.9V, Voltage applied, FB=0V	-	-	0.8	V	
Operation Hold Voltage	V <sub>HLD</sub>	Recommended circuit using 2SD1628, I <sub>OUT</sub> =1.0mA	-	-	0.7	V	
Supply Current 1	I <sub>DD1</sub>	Same as V <sub>ST2</sub> , V <sub>DD</sub> =3.300V	-	29	41	μA	
Supply Current 2	I <sub>DD2</sub>	Same as I <sub>DD1</sub> , FB=1.2V	-	14	19	μA	
Stand-by Current	I <sub>STB</sub>	Same as I <sub>DD1</sub> , CE/V <sub>ref</sub> =0V	-	-	1.0	μA	
Oscillation Frequency	FOSC	Same as I <sub>DD1</sub>	85	100	115	kHz	
Maximum Duty Ratio	MAXDTY	Same as I <sub>DD1</sub>	75	81	87	%	
PFM Duty Ratio	PFMDTY	No Load (XC9106 series)	20	28	36	%	
Efficiency	EFFI	Recommended circuit using XP161A1355	-	85	-	%	
Soft-start Time	T <sub>SS</sub>	V <sub>ref</sub> =0.9V	5.0	10.0	20.0	mS	
CE "High" Voltage	V <sub>CEH</sub>	Same as I <sub>DD1</sub>	0.65	-	-	V	
CE "Low" Voltage	V <sub>CEL</sub>	Same as I <sub>DD1</sub>	-	-	0.20	V	
EXT "High" ON Resistance	R <sub>EXTH</sub>	Same as I <sub>DD1</sub> , V <sub>EXT</sub> =V <sub>OUT</sub> -0.4V	-	24	36	Ω	
EXT "Low" ON Resistance	R <sub>EXTL</sub>	Same as I <sub>DD1</sub> , V <sub>EXT</sub> =0.4V	-	16	24	Ω	
CE "High" Current	I <sub>CEH</sub>	Same as I <sub>DD2</sub> , CE=0.8V	-1.0	-	0.0	μA	
		Same as I <sub>DD2</sub> , CE=2.5V	0.0	-	2.5		
CE "Low" Current	I <sub>CEL</sub>	Same as I <sub>DD2</sub> , CE=0V	-	-	-0.1	μA	
FB "High" Current	I <sub>FBH</sub>	Same as I <sub>DD2</sub> , FB=V <sub>DD</sub>	-	-	0.1	μA	
FB "Low" Current	I <sub>FBL</sub>	Same as I <sub>DD2</sub> , FB=1.0V	-	-	-0.1	μA	

Test Conditions: Unless otherwise stated, CL: Ceramic, recommended MOSFET should be connected.

V<sub>DD</sub>= 3.3V      V<sub>ref</sub>= 0.09V,      R<sub>FB1,2</sub> × 10  
V<sub>IN</sub>= 3.3V      I<sub>OUT</sub>= 50mA

**NOTE:**

\*1: Although the IC starts step-up operations from a V<sub>DD</sub> of 0.8V, the output voltage and oscillation frequency are stabilized at V<sub>DD</sub> 1.8V and (V<sub>ref</sub> applied voltage + 0.7V). Therefore, a V<sub>DD</sub> of more than 1.8V and (V<sub>ref</sub> applied voltage + 0.7V) is recommended when V<sub>DD</sub> is supplied from V<sub>IN</sub> or other power sources.



## OPERATIONAL EXPLANATION

The XC9106 / 07 series are reference voltage (Vref) apply external step-up DC/DC controller ICs. Output voltage will be set with external resistors (RFB1 and RFB2) and Vref value. The series make it easy to control output voltage externally and are suited to software applications that need to vary voltage such as LCD power supply for PDA.

### <Error Amp.>

Error amplifier is designed to monitor the output voltage, comparing the feedback voltage (FB) with the reference voltage Vref. In response to feedback of a voltage lower than the reference voltage Vref, the output voltage of the error amp. decreases.

### <OSC Generator>

This circuit generates the internal reference clock.

### <Ramp Wave Generator>

The ramp wave generator generates a saw-tooth waveform based on outputs from the OSC generator.

### <PWM Comparator>

The PWM comparator compares outputs from the error amp. and saw-tooth waveform. When the voltage from the Error amp's output is low, the external switch will be set to ON.

### <PWM / PFM Controller>

This circuit generates PFM pulses.

The PWM/PFM automatic switching mode switches between PWM and PFM automatically depending on the load. PWM/PFM control turns into PFM control when threshold voltage becomes lower than voltage of error amps. Noise is easily reduced with PWM control since the switching frequency is fixed. Because of the function, control suited to the application can easily be selected. The series suitable for noise sensitive portable audio equipment as PWM control can suppress noise during operation and PWM/PFM switching control can reduce consumption current during light loads in stand-by.

### <Vref 1 with Soft Start>

The reference voltage of the XC9106/9107 series is adjusted and fixed by external applied voltage. (For output voltage settings, please refer to the output voltage setting.)

To protect against inrush current, when the power is switched on, and also to protect against voltage overshoot, soft-start time is set internally to 10ms. It should be noted, however, that this circuit does not protect the load capacitor (CL) from inrush current. With the Vref voltage limited, and depending upon the input to error amp, the operation maintains a balance between the two inputs of error amps and controls the EXT pin's ON time so that it doesn't increase more than is necessary.

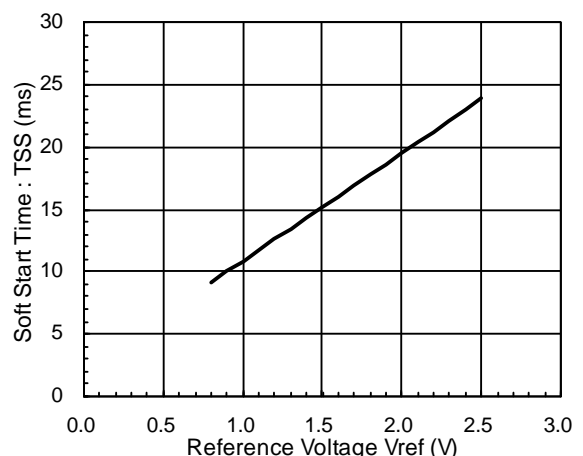
The XC9106/9107 series alters soft start times by the setting value of reference voltage in order to protect against voltage overshoot and also to protect against inrush current. Please determine soft start time by the formula equation.

$$T_{SS} = 8.65 \times V_{ref} + 2.21$$

[Example Computation]

$$V_{ref} = 0.9V, T_{SS} = 8.65 \times 0.9 + 2.21 = 10.0 \text{ ms}$$

XC9106 / XC9107D xxx MR



### <Enable Function>

This function controls the operation and shutdown of the IC. When the voltage of the CE pin drops to 0.2V or less, disable mode will be entered, the IC's operations will stop and the EXT pin will be kept at a low level (the external N-ch MOSFET will be OFF). When the IC is in a state of chip disable, current consumption will be no more than 1.0μA.

When the CE pin's voltage rises to 0.65V or more, enable mode will be entered and operations will recommence. The CE pin also doubles with reference voltage in the XC9106/9107 series, and the range of reference voltage can be varied externally from 0.8V to 2.5V.

## OPERATIONAL EXPLANATION (Continued)

### <Output Voltage Setting>

Output voltage can be set by adding external split resistors. Output voltage is determined by the following equation, based on the values of RFB1 and RFB2. The sum of RFB1 and RFB2 should normally be 2MΩ or less. The range of reference voltage of the series can be varied externally from 0.8V to 2.5V.

$$V_{OUT} = V_{ref \text{ applied voltage}} \times (R_{FB1} + R_{FB2}) / R_{FB2}$$

The value of CFB1, speed-up capacitor for phase compensation, should result in  $f_{zfb} = 1/(2 \times C_{FB} \times R_{FB1})$  equal to 5 to 30kHz. Adjustments are required depending on the application, value of inductance (L), and value of load capacity (CL).

fzfb = 30kHz (L=10μH)	RFB1 : 270kΩ	RFB2 : 30kΩ
fzfb = 20kHz (L=22μH)	CFB : 20pF	(fzfb = 30kHz, L = 10μH)
fzfb = 10kHz (L=47μH)	27pF	(fzfb = 20kHz, L = 22μH)
	56pF	(fzfb = 10kHz, L = 47μH)

### <The Use of Ceramic Capacitor CL>

The circuit of the XC9106/9107 series is organized by a specialized circuit, which reenacts negative feedback of both voltage and current. Also by insertion of approximately 100mΩ of a low and inexpensive sense resistor as current sense, a high degree of stability is possible even using a ceramic capacitor, a condition, which used to be difficult to achieve. Compared to a tantalum condenser, because the series can be operated in a very small capacity, it is suited to use of the ceramic capacitor, which is cheap and small.

## RECOMMENDED EXTERNAL COMPONENTS

Tr:	*When a MOSFET is used: 2SK2159 (N-ch Power MOSFET, NEC) Note* : With direct voltages over 4.5V, use the XP161A11A1PR.	*When a NPN Tr. is used : 2SD1628 (SANYO) Rb : 500Ω (adjust with Tr's HFE or load) Cb : 2200pF (ceramic type) $C_b = 1 / (2 \times R_b \times FOSC \times 0.7)$
-----	---	---

SD: MA2Q737 (Schottky Diode type, MATSUSHITA)  
L, CL : Adjust as below according to the condition and peripheral components

#### When Ceramic capacitor is used:

L :	22μH (CDRH5D28, SUMIDA, FOSC = 100kHz) 10μH (CDRH5D28, SUMIDA, FOSC = 300kHz)
CL :	10V, 10μF (Ceramic capacitor, LMK325BJ106ML, TAIYOYUDEN) Use the formula below when step-up ratio and output current is large. $CL = (CL \text{ standard value}) \times (I_{OUT}(mA) / 300mA \times V_{OUT} / V_{IN})$
RSENSE :	100mΩ (FOSC = 300kHz) 50mΩ (FOSC = 100kHz)

#### When Tantalum capacitor is used:

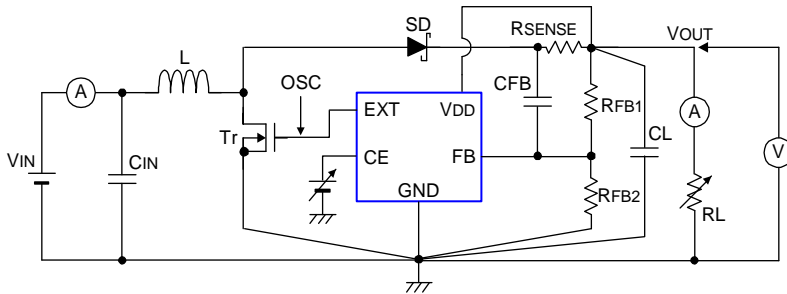
L:	22μH (CDRH5D28, SUMIDA, FOSC = 300kHz) 47μH (CDRH5D28, SUMIDA, FOSC = 100kHz) Except when $I_{OUT}(mA) / 100mA \times V_{OUT} / V_{IN} > 2$ 22μH
CL:	16V, 47μF (Tantalum type 16MCE476MD2, NIPPONCHEMI) Use the formula below when step-up ratio and output current is large. $CL = (CL \text{ standard value}) \times (I_{OUT}(mA) / 300mA \times V_{OUT} / V_{IN})$
RSENSE:	Not required, but short out the wire.

#### When AL Electrolytic capacitor is used:

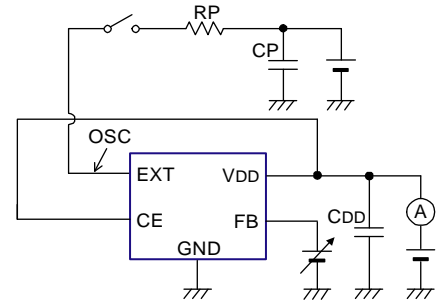
L:	22μH (CDRH5D28, SUMIDA, FOSC = 300kHz) 47μH (CDRH5D28, SUMIDA, FOSC = 100kHz) Except when $I_{OUT}(mA) / 100mA \times V_{OUT} / V_{IN} > 2$ 22μH
CL:	16V, 100μF (AL electrolytic type) + 10V, 2.2μF (ceramic type) Strengthen appropriately when step-up ratio and output current is large.
RSENSE:	Not required, but short out the wire.
CFB:	Set up so that fzfb = 100kHz.

## TEST CIRCUITS

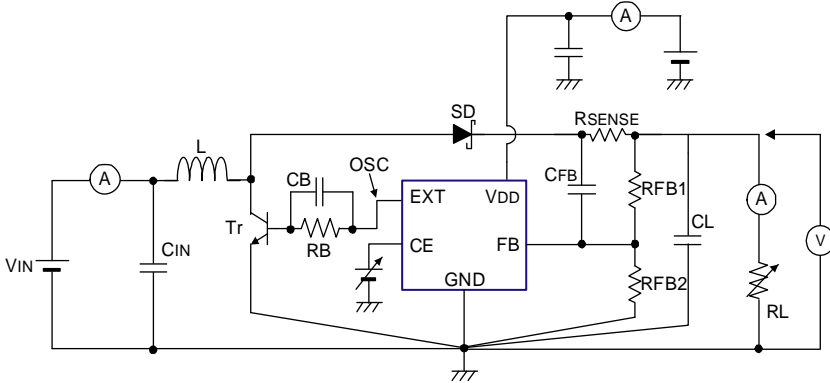
Circuit



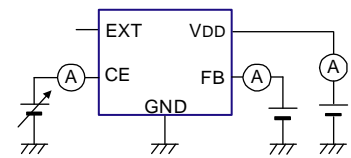
Circuit



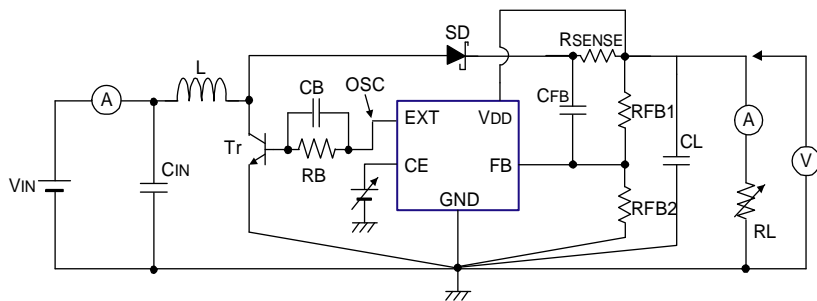
Circuit



Circuit

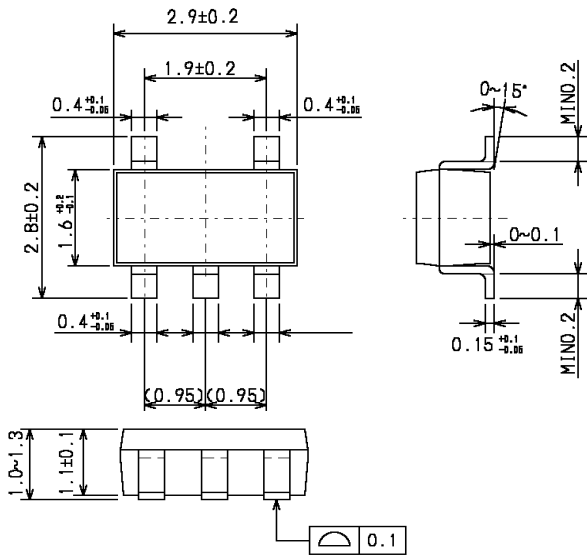


Circuit

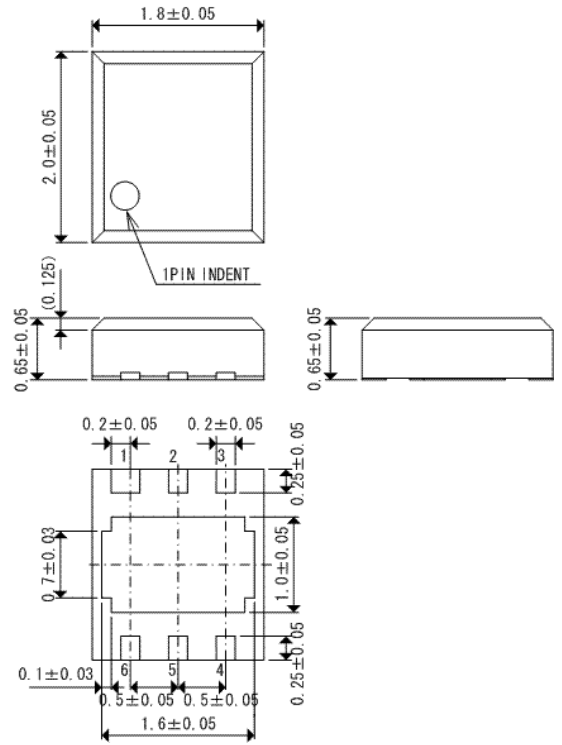


# PACKAGING INFORMATION

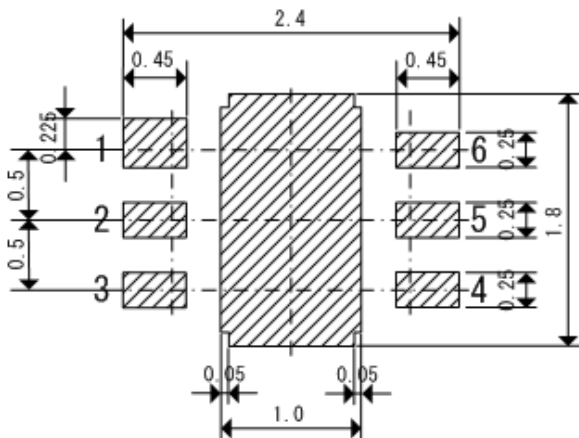
SOT-25 (SOT-23-5)



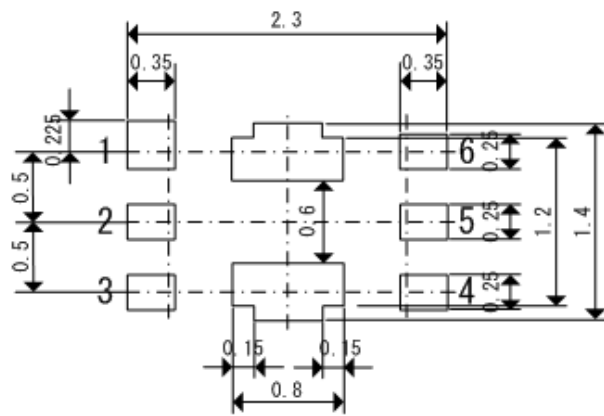
USP-6B



USP-6B Reference Pattern Layout

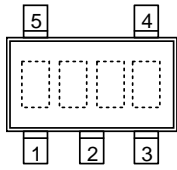


USP-6B Reference Metal Mask Design



## MARKING RULE

### SOT-25



SOT-25  
(TOP VIEW)

represents product series

MARK		PRODUCT SERIES
6	D	XC9106D00xMx
7	D	XC9107D00xMx

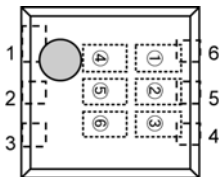
represents oscillation frequency

MARK	OSCILLATION FREQUENCY	PRODUCT SERIES
1	100kHz	XC9106/07D001Mx
3	300kHz	XC9106/07D003Mx

represents production lot number

0 to 9,A to Z reverse character 0 to 9,A to Z repeated (G, I, J, O, Q, W excluded)

### USP-6B



USP-6B  
(TOP VIEW)

represents product series

MARK		PRODUCT SERIES
U	D	XC9106D00xDx
L	D	XC9107D00xDx

represents FB voltage

MARK		PRODUCT SERIES
0	0	XC9106D00xDx
0	0	XC9107D00xDx

represents oscillation frequency

MARK	OSCILLATION FREQUENCY	PRODUCT SERIES
1	100kHz	XC9106/07D001Dx
3	300kHz	XC9106/07D003Dx

represents production lot number

0 to 9,A to Z repeated (G, I, J, O, Q, W excluded).

Note: No character inversion used.

1. The products and product specifications contained herein are subject to change without notice to improve performance characteristics. Consult us, or our representatives before use, to confirm that the information in this datasheet is up to date.
2. We assume no responsibility for any infringement of patents, patent rights, or other rights arising from the use of any information and circuitry in this datasheet.
3. Please ensure suitable shipping controls (including fail-safe designs and aging protection) are in force for equipment employing products listed in this datasheet.
4. The products in this datasheet are not developed, designed, or approved for use with such equipment whose failure or malfunction can be reasonably expected to directly endanger the life of, or cause significant injury to, the user.  
(e.g. Atomic energy; aerospace; transport; combustion and associated safety equipment thereof.)
5. Please use the products listed in this datasheet within the specified ranges.  
Should you wish to use the products under conditions exceeding the specifications, please consult us or our representatives.
6. We assume no responsibility for damage or loss due to abnormal use.
7. All rights reserved. No part of this datasheet may be copied or reproduced without the prior permission of TOREX SEMICONDUCTOR LTD.

**TOREX SEMICONDUCTOR LTD.**