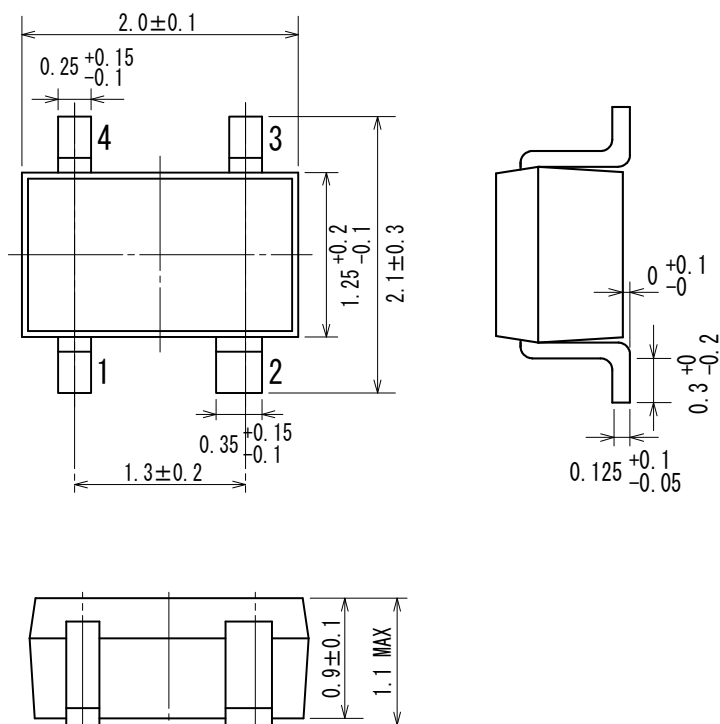


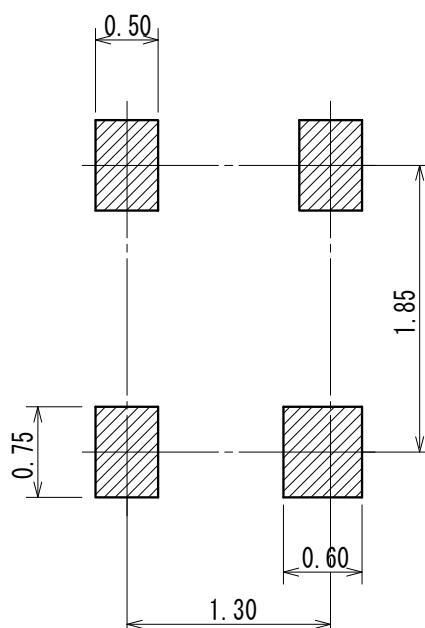
# PACKAGE INFORMATION

## ●SSOT-24

Unit: mm



## REFERENCE LAND PATTERN

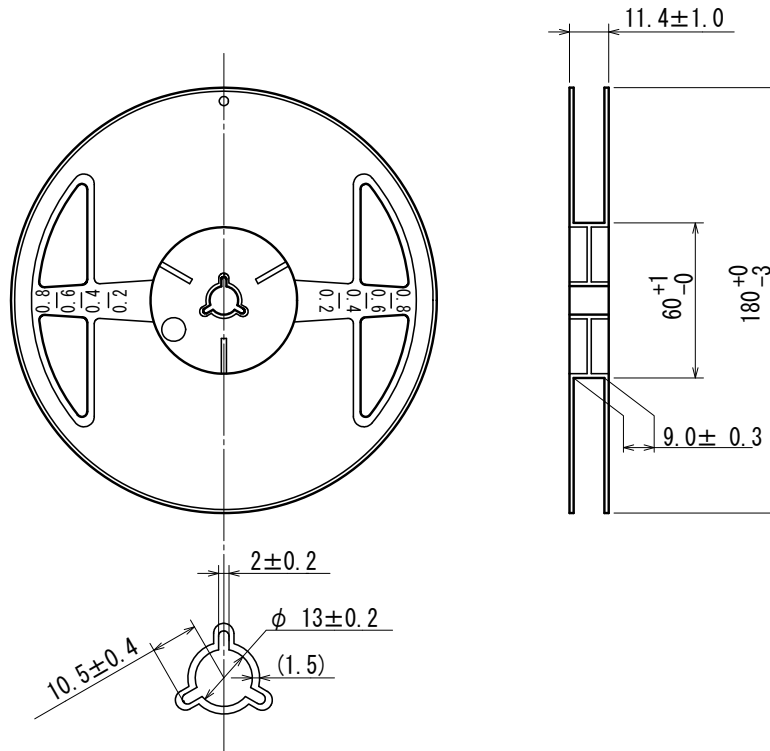


▪ Solder Thickness:  $150 \mu\text{m}$  (reference)

# TAPING REEL DIMENSIONS

● SSOT-24

REEL



1 reel = 3000 pcs

## TAPING SPECIFICATION

