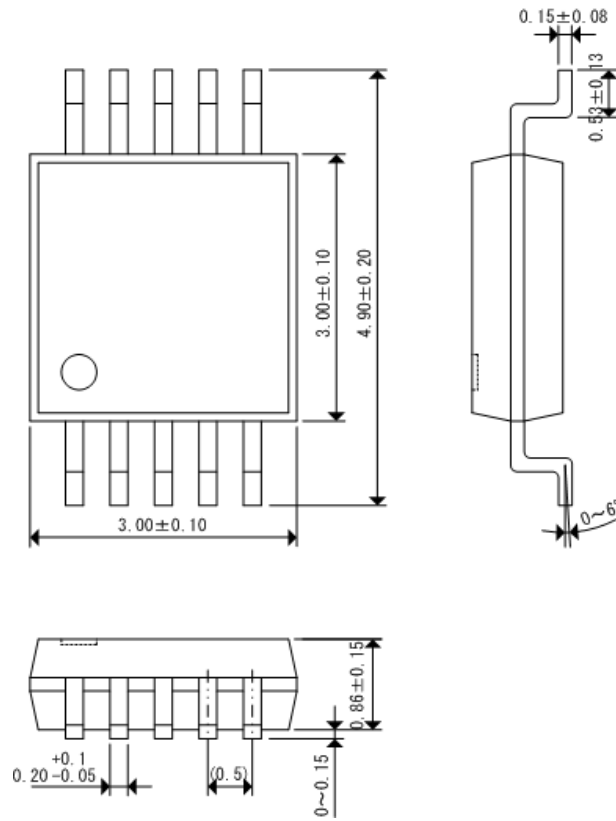


Packaging Information / Reference Pattern Layout Dimensions

● MSOP-10

Unit: mm

■ Packaging Information



■ Reference Pattern Layout Dimensions

