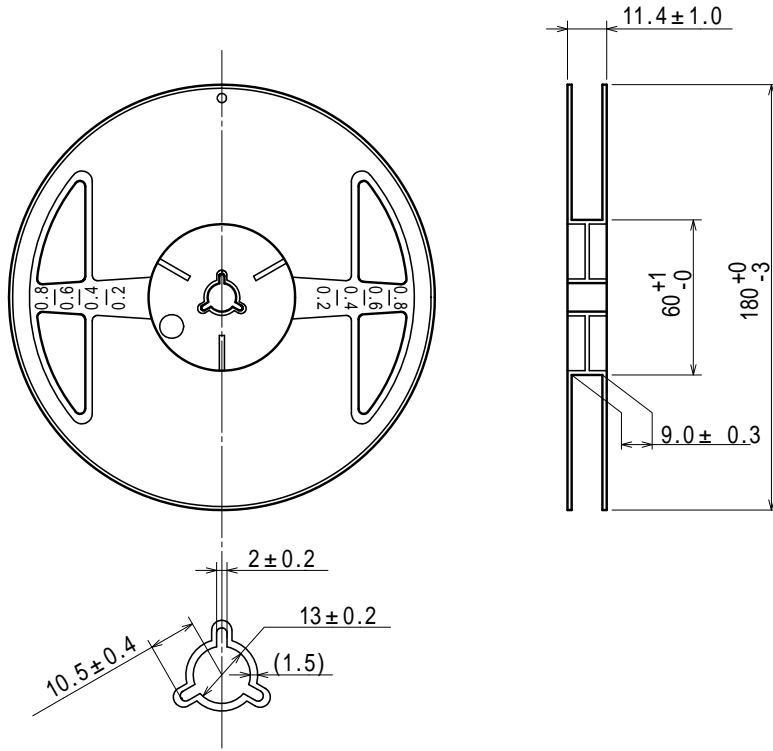


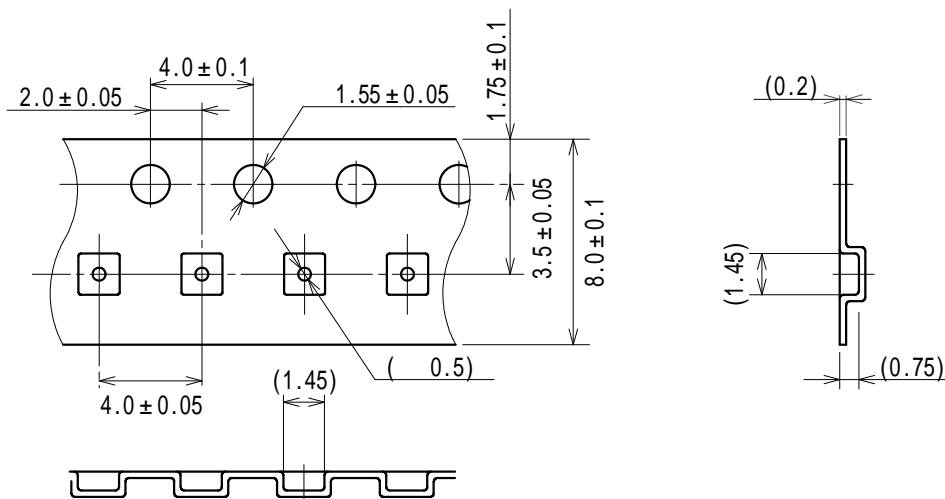
TAPING REEL DIMENSIONS

USP 3 REEL

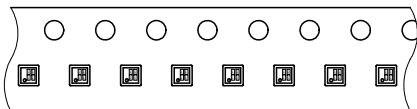


1 reel = 3000 pcs

TAPING SPECIFICATION



R Type: (Standard Feed) → User Direction of Feed



L Type: (Reverse Feed) → User Direction of Feed

