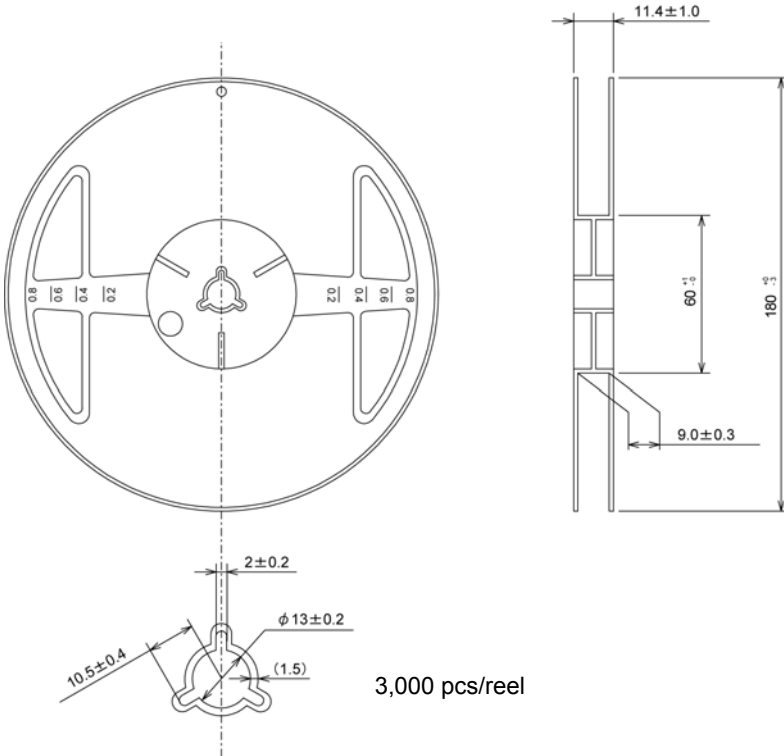
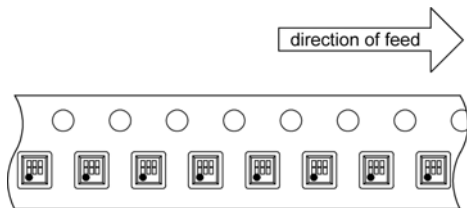
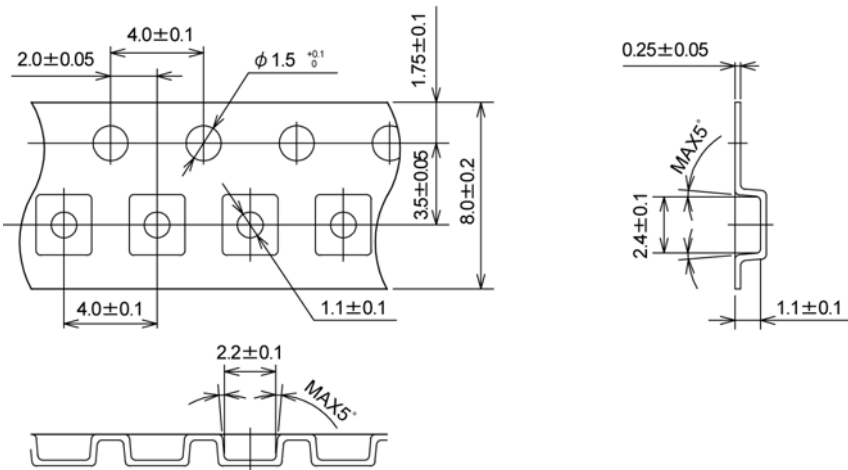


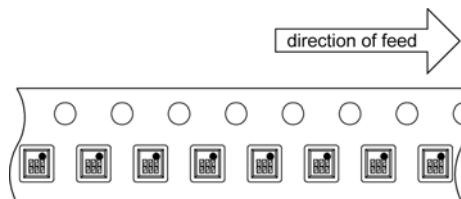
USP-6B Reel



USP-6B Taping Specifications



R Type : [Device orientation : Right]
Standard feed



L Type : [Device orientation : Left]
Reverse feed