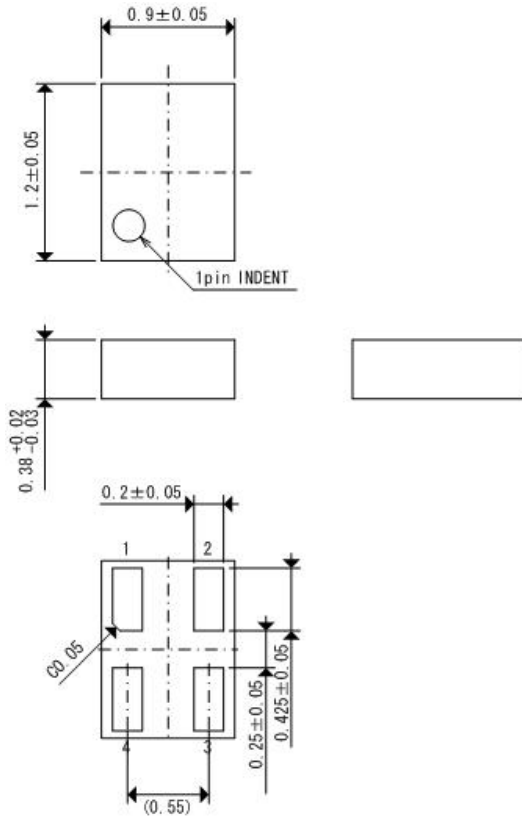


Packaging Information / Reference Pattern Layout Dimensions

●USPN-4

Unit: mm

■Packaging Information



■Reference Pattern Layout Dimension

Note : reference metal mask design

