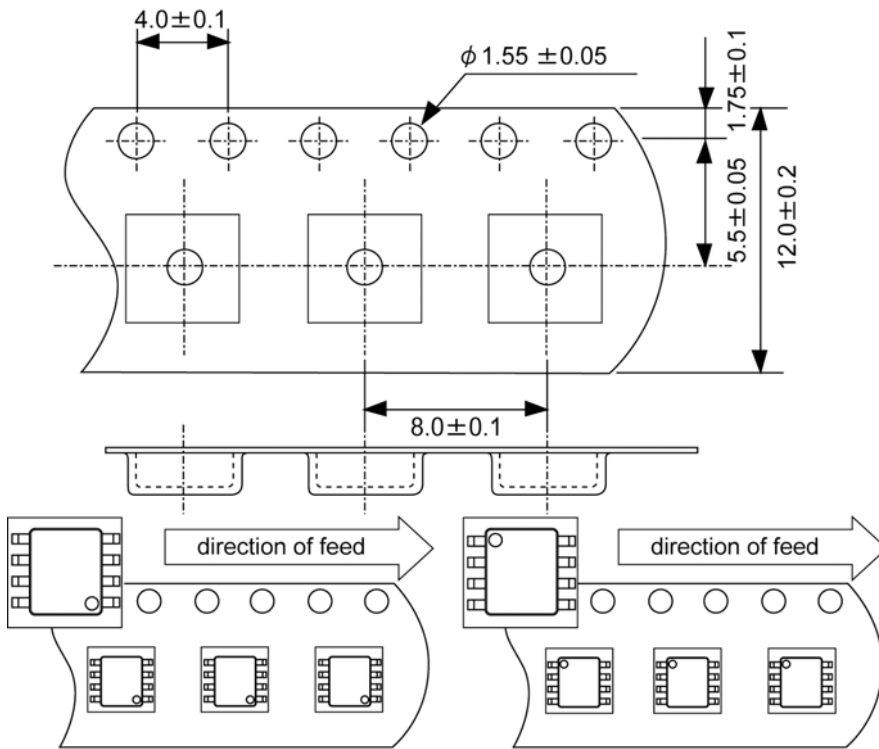


SOT-8 Taping Specifications

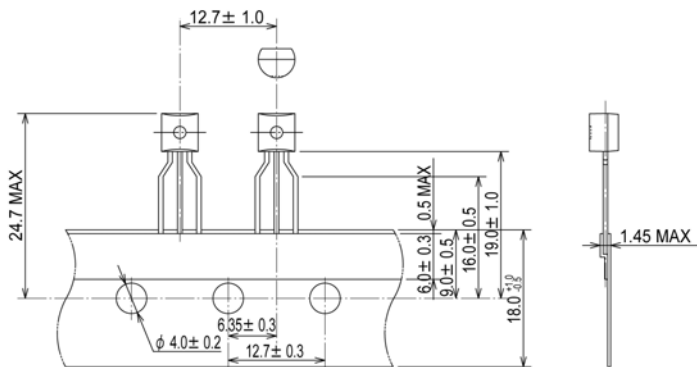


R Type : [Device orientation : Right]
Standard feed

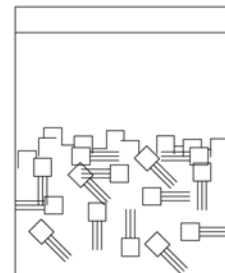
L Type : [Device orientation : Left]
Reverse feed

TO-92 Taping Specifications

1) Taping Dimension



2) Packing Specification
(500 pcs / Bag)



3) Packing Specification (Fan fold box)
(2,000 pcs / Box)

