

アナログのチカラ

Cross reference list ;
XBS303V29R-G
XBS506V1AR-G

2020-Nov.-5th

Product Planning Group

Product Planning Department

TOREX SEMICONDUCTOR LTD

1 Cross reference List (XBS303V29R-G)

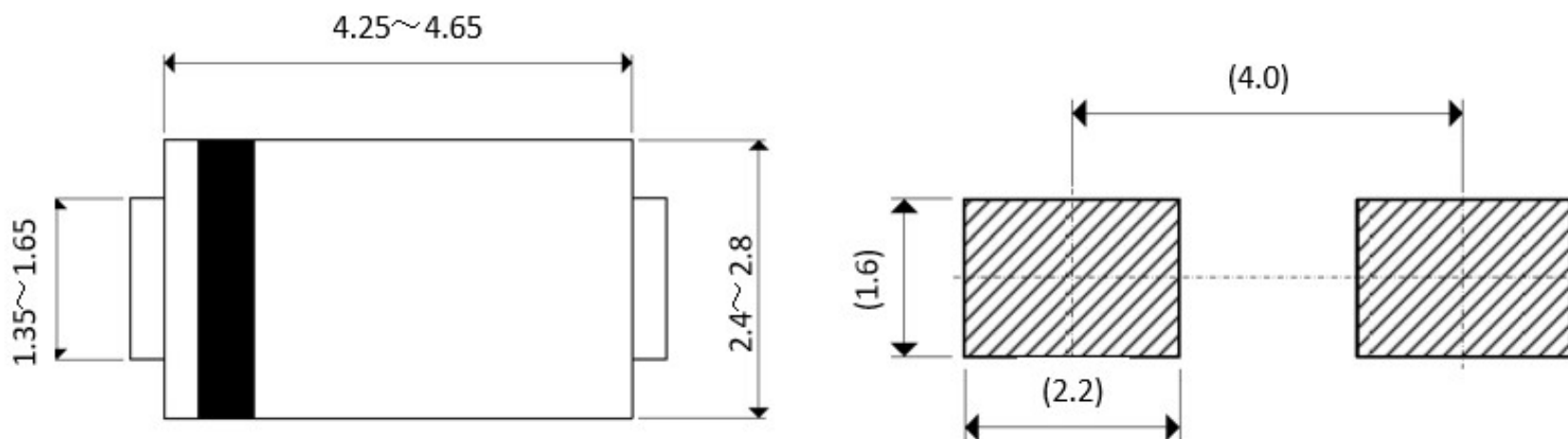
Company	Item	Ratings		Package	VF(V) (Max.)	IR (mA) (Max.)
		VR (V)	IF(AV) (A)		@ 3A	@ 30V
Torex	XBS303V29R-G	30	3	SMA-XG	0.45	0.6
Torex	XBS303V19R-G	30	3	SMA-XG	0.39	3
Rohm	RB050LAM-30	30	3	SOD-128	0.45	0.15
Rohm	RB055LAM-30	30	3	SOD-128	0.55	0.05
Rohm	RBR3LAM30A	30	3	SOD-128	0.58	0.05
Rohm	RBR3LAM30B	30	3	SOD-128	0.53	0.08
Rohm	RSX301LAM30	30	3	SOD-128	0.42	0.2
LITE ON	B330A	30	3	SMA	0.5	0.15
Rectron	FM330A	30	3	DO-214AC	0.55	0.06
Rectron	FM5821A	30	3	DO-214AC	0.46	0.08
Panjit	SX33	30	3	SMA	0.5	0.2
Panjit	SX33L	30	3	SMA	0.37	1
KEC	SMAB33	30	3	SMA	0.45	2
KEC	SMA33L	30	3	SMA	0.36	2

3 Cross reference List (XBS506V1AR-G)

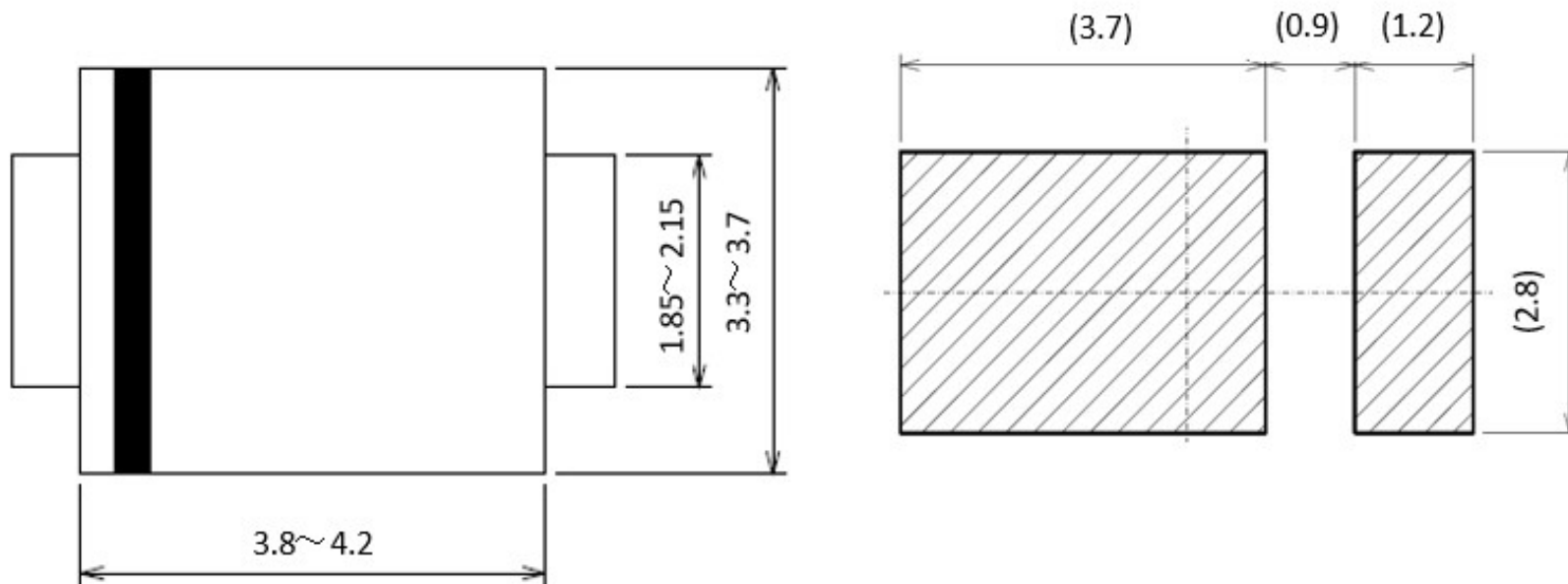
Company	Item	Ratings		Package	VF(V) (Max.)	IR (mA) (Max.)
		VR (V)	IF(AV) (A)		@ 5A	@ 60V
Torex	XBS506V1AR-G	60	5	SMBT	0.68	0.05
Rohm	RB088LAM-60	60	5	SOD-128	0.71	0.004
Rohm	RBR5LAM60A	60	5	SOD-128	0.55	0.25
LITE-ON	B560AT	60	5	SMA	0.7	1
LITE-ON	FB560D	60	5	SMA-Flat	0.675	0.025
LITE-ON	B560BT	60	5	SMB	0.7	0.3
Rectron	FM560A	60	5	DO-214AC	0.7	0.5
Rectron	SSL56F	60	5	SMAF	0.5	0.02
Rectron	FM560B	60	5	DO-214AA	0.65	0.06
Panjit	SX56F	60	5	SMAF	0.66	0.1
Panjit	SR56F	60	5	SMBF	0.7	0.1

4 Package out line Torex SMA-X / SMBT

TOREX : SMA-X

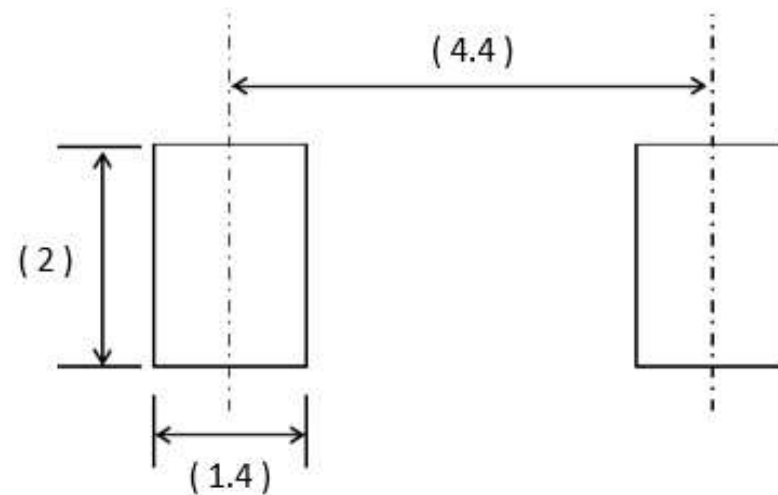
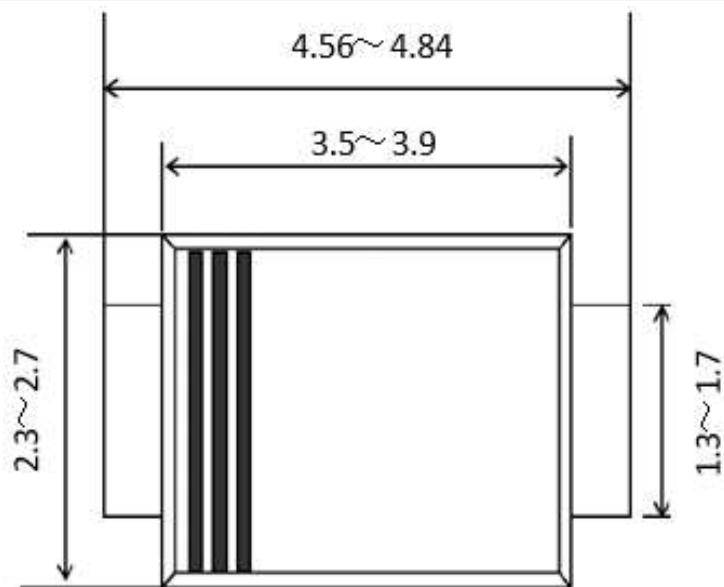


Torex :SMBT

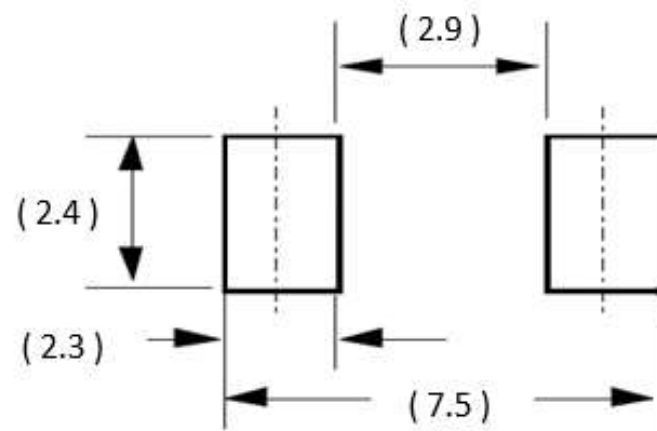
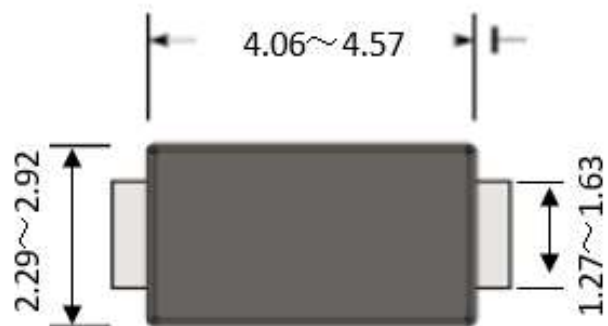


5 -1 Package out line (Competitor)

Rohm :SOD-128

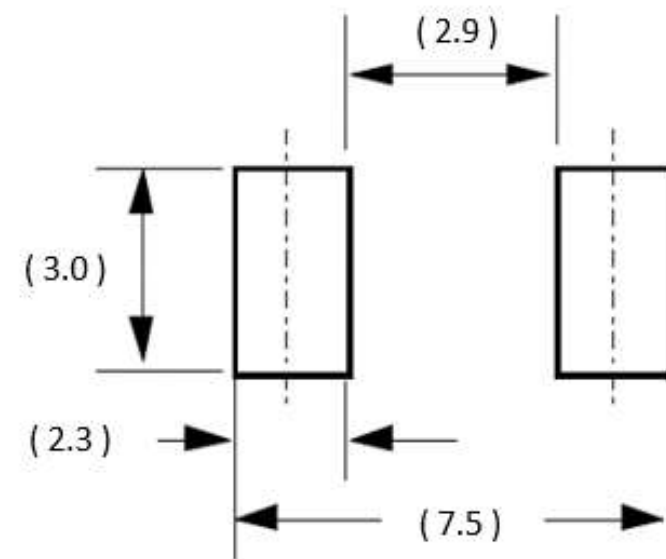
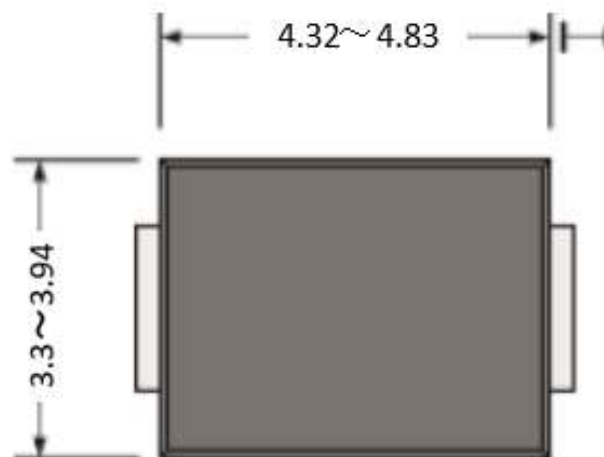
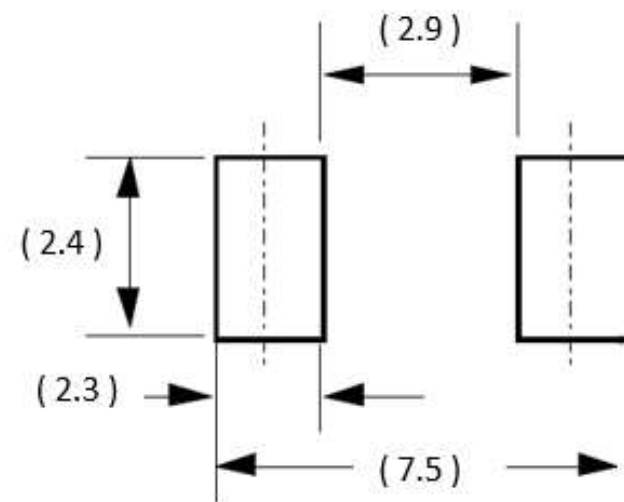
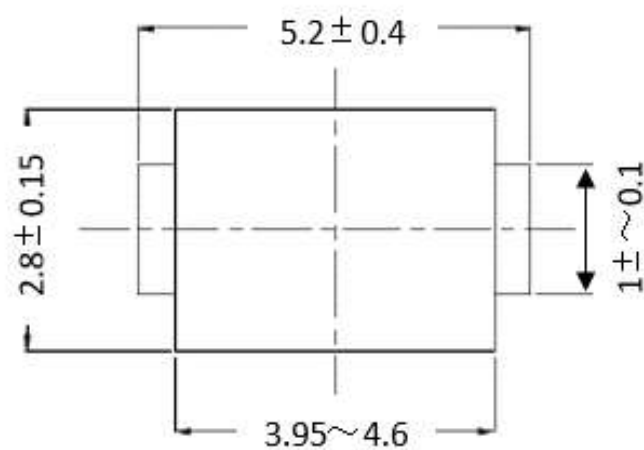


LITE-ON : SMA



5 -2 Package out line (Competitor)

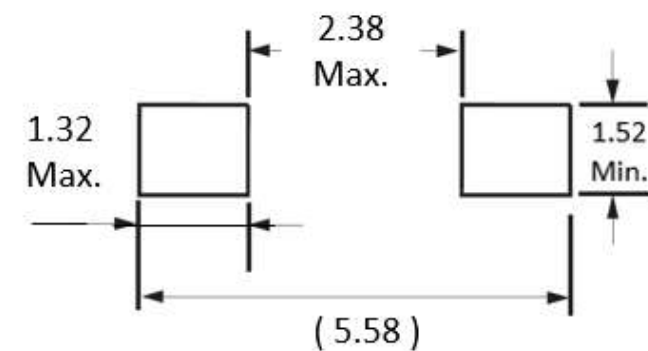
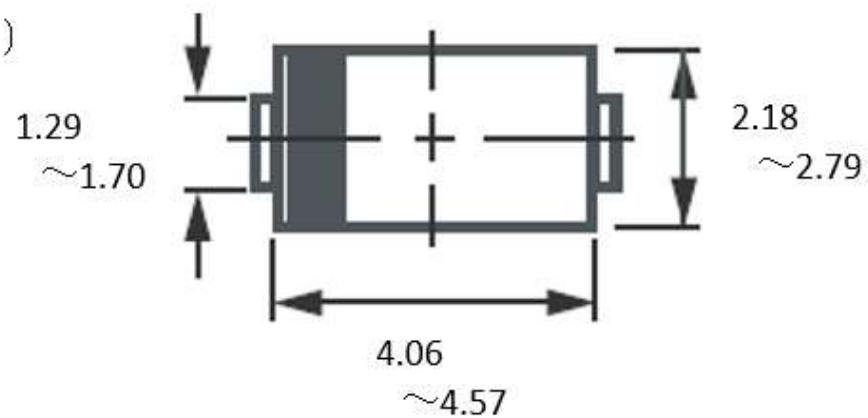
LITE-ON : SMB

LITE-ON
: SMA-Flat

5 -3 Package out line (Competitor)

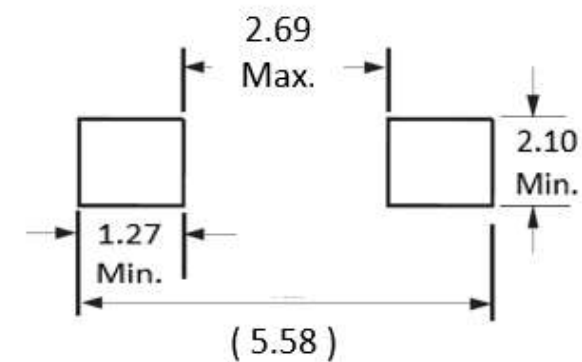
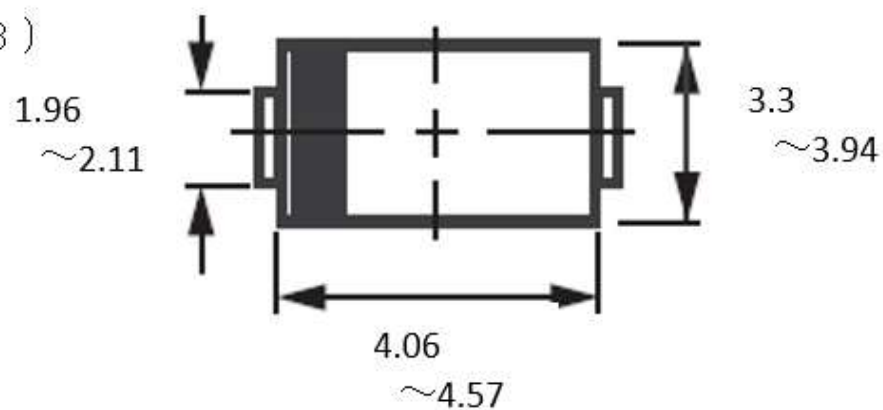
Rectron

: DO-214AC (SMA)

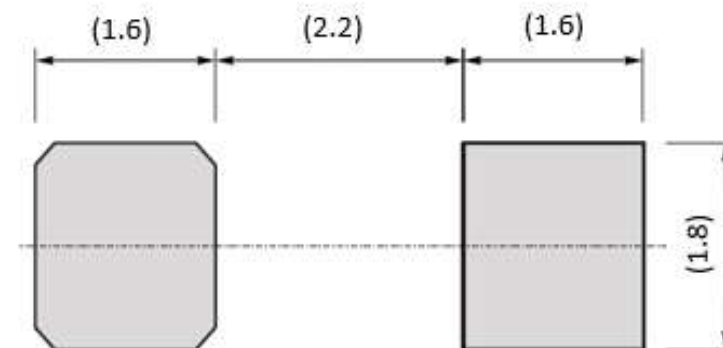
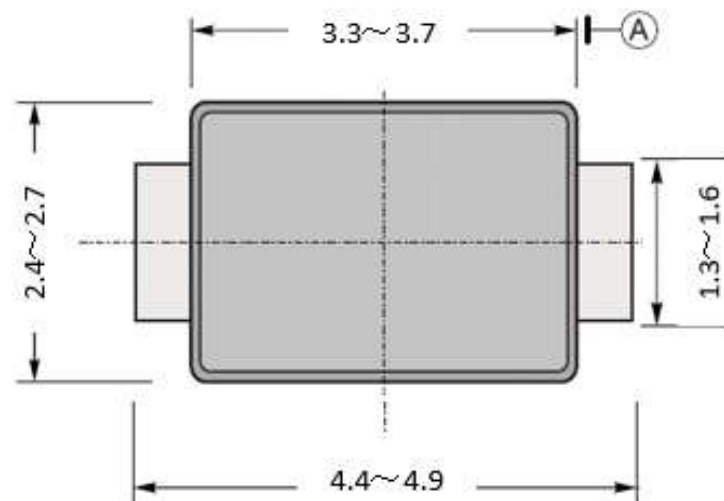


Rectron

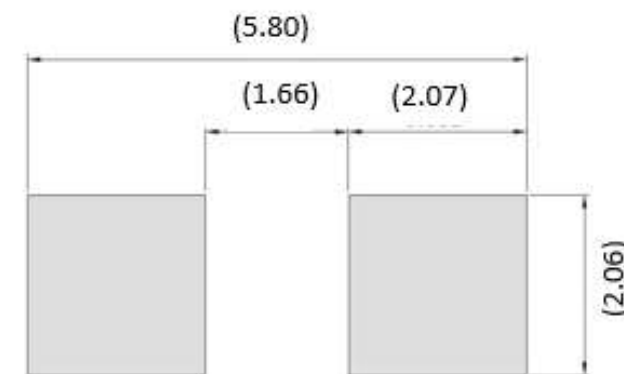
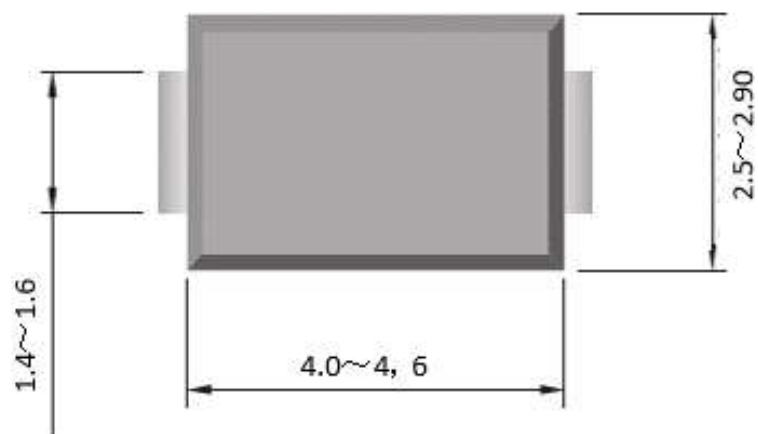
: DO-214AA (SMB)



5 -4 Package out line (Competitor)

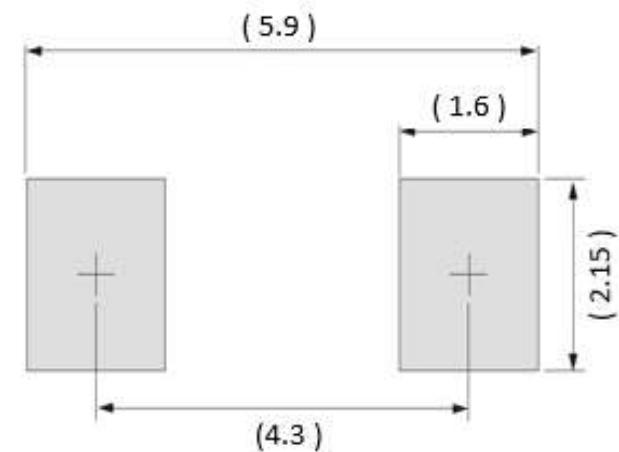
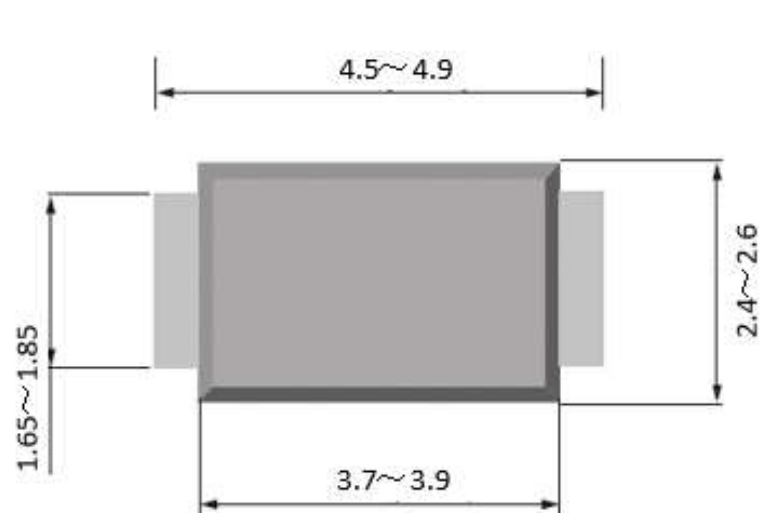
Rectron
: SMAF

Panjit : SMA

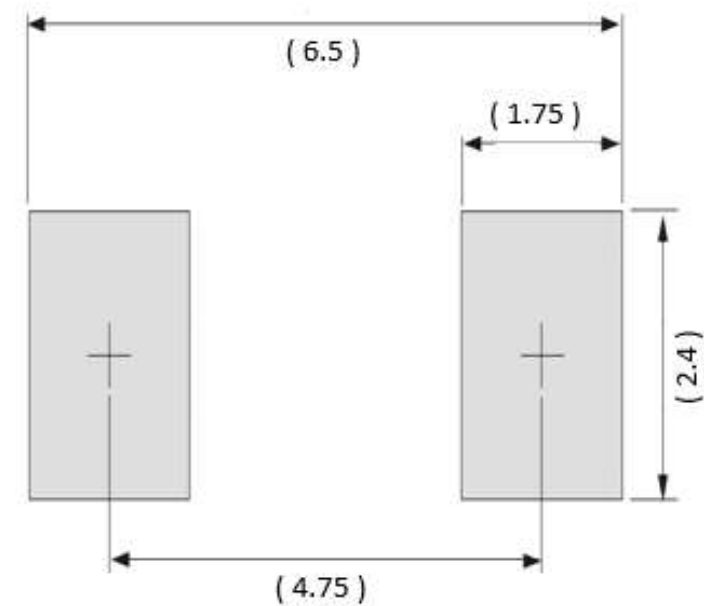
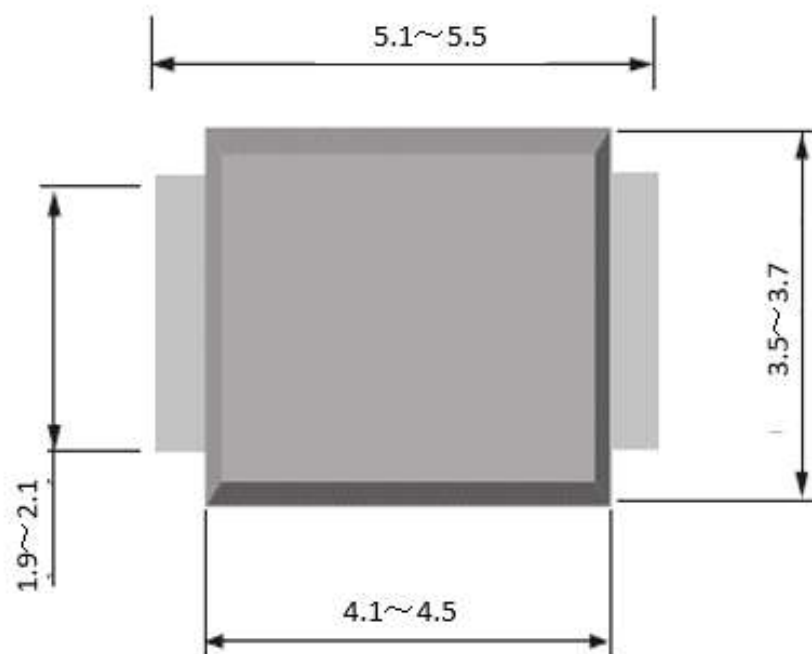


5 -5 Package out line (Competitor)

Panjit : SMAF



Panjit : SMBF



5 -6 Package out line (Competitor)

KEC : SMA

